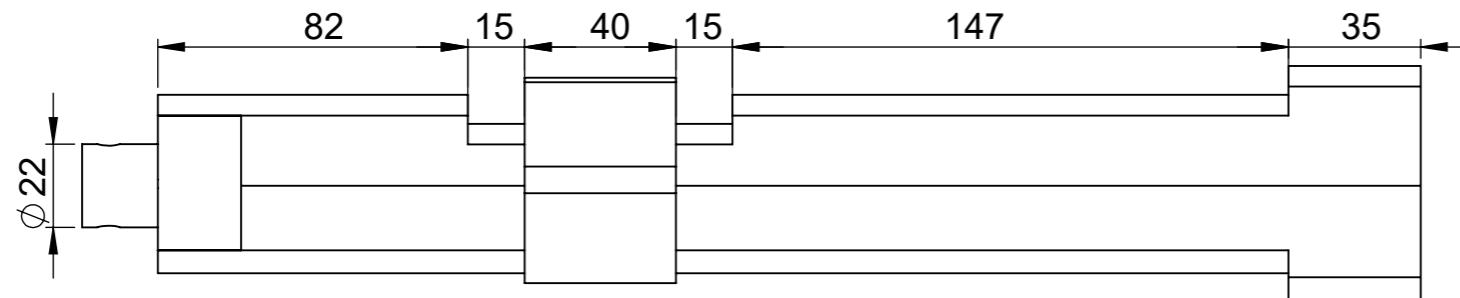
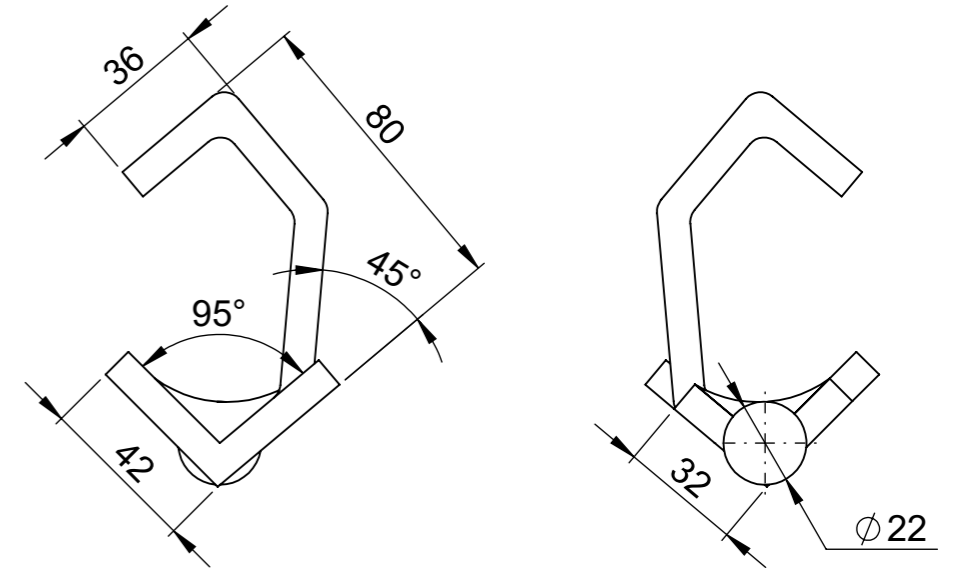
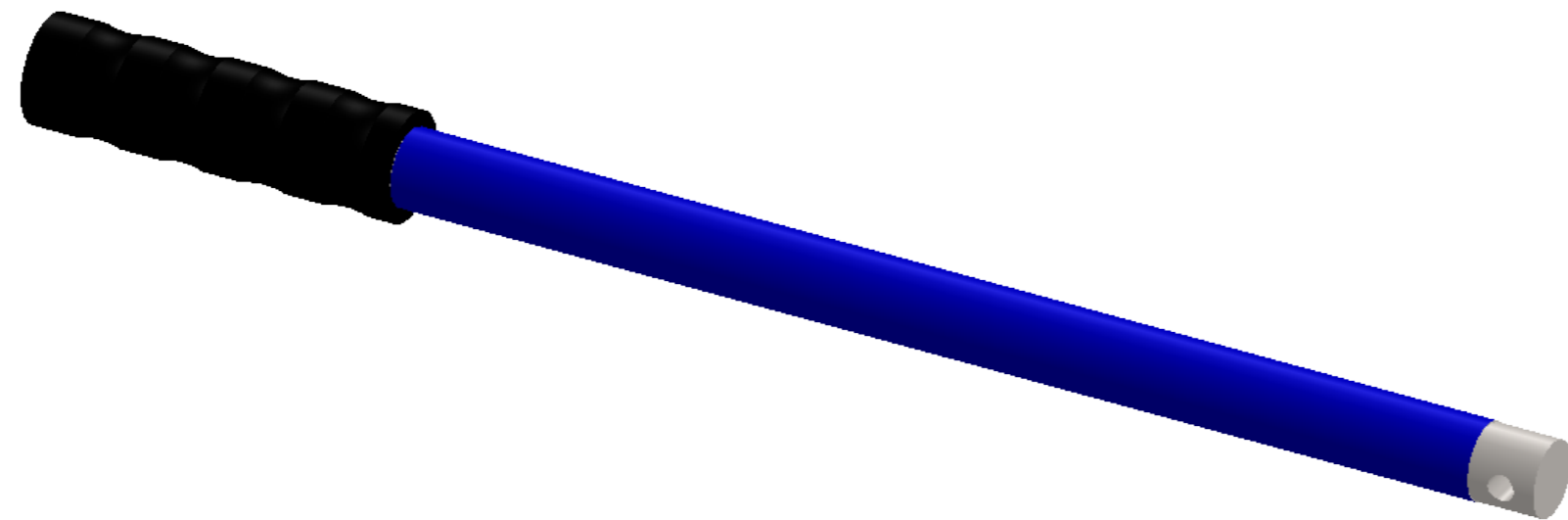
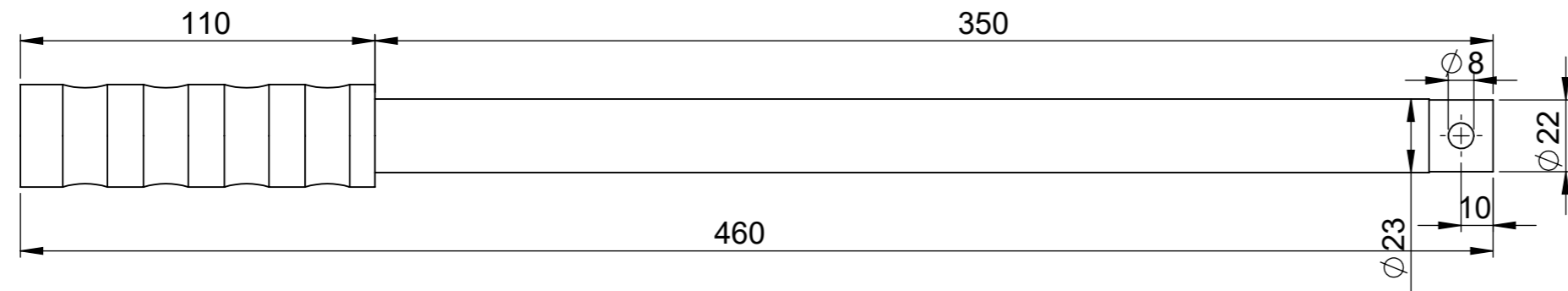


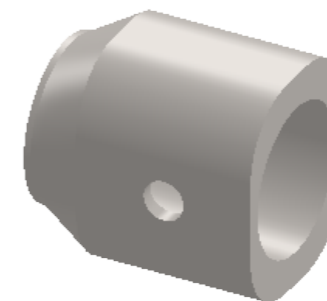
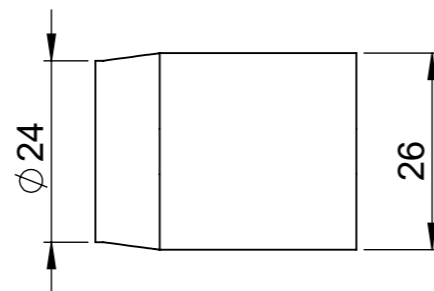
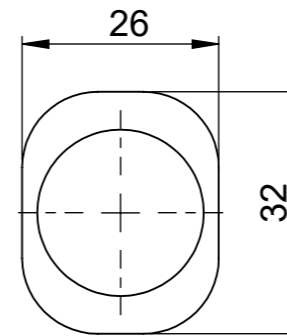
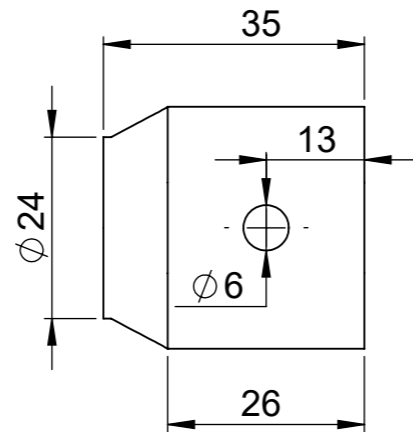
Specifications:		Loads:		Shear	Tension	2				
Total weight: 4.9 kg		Breaking load	BL			1	x	**/**	x	x
MARKING: ILS + PRODUCT CODE BATCH NUMBER MM: MONTH OF PRODUCTION YY: YEAR OF PRODUCTION		Proof load	PL			Rev.	Description of issue	Date	Drawn by	Checked by
		Safe working load	SWL			Product ref.: LT-6				Status: CONCEPT
						Title:				Scale: 1:3 Format: A3
Ownership of International Lashing Systems n.v. Duplication or disclosure to third parties in any form whatsoever, is prohibited without written permission of the owner.				 ILS International Lashing Systems How secure is your cargo?		Phone: +32-3-234.28.80 Website: www.ils.be E-mail: info@ils.be				



Specifications:	Loads:	Shear	Tension	2					
Material:	Breaking load BL			1	x	**/**/**	x	x	x
Finish:	Proof load PL			Rev.	Description of issue	Date	Drawn by	Checked by	Approved by
	Safe working load SWL			Product ref.: LT-6				Status: CONCEPT	
Total weight: 4.9 kg				Title:				Scale: 1:2 Format: A3	
Ownership of International Lashing Systems n.v. Duplication or disclosure to third parties in any form whatsoever, is prohibited without written permission of the owner.		 ILS International Lashing Systems How secure is your cargo?		Phone: +32-3-234.28.80 Website: www.ils.be E-mail: info@ils.be					



Specifications:	Loads:	Shear	Tension	2					
Material:	Breaking load BL			1	x	**/**	x	x	x
Finish:	Proof load PL			Rev.	Description of issue	Date	Drawn by	Checked by	Approved by
Total weight: 4.9 kg	Safe working load SWL			Product ref.: LT-6				Status: CONCEPT	
				Title:				Scale: 1:2 Format: A3	
Ownership of International Lashing Systems n.v. Duplication or disclosure to third parties in any form whatsoever, is prohibited without written permission of the owner.		 ILS International Lashing Systems <i>How secure is your cargo?</i>		Phone: +32-3-234.28.80 Website: www.ils.be E-mail: info@ils.be					



Specifications:	Loads:	Shear	Tension	2					
Material:	Breaking load BL			1	x	**/**	x	x	x
Finish:	Proof load PL			Rev.	Description of issue	Date	Drawn by	Checked by	Approved by
Total weight: 4.9 kg	Safe working load SWL			Product ref.: LT-6				Status: CONCEPT	
				Title:				Scale: 1:1 Format: A3	
Ownership of International Lashing Systems n.v. Duplication or disclosure to third parties in any form whatsoever, is prohibited without written permission of the owner.		 ILS International Lashing Systems <i>How secure is your cargo?</i>		Phone: +32-3-234.28.80 Website: www.ils.be E-mail: info@ils.be					